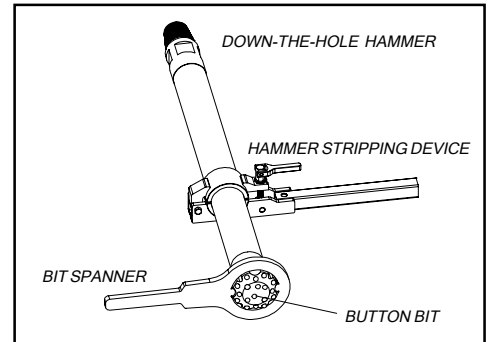


DTH-HAMMERS & BUTTON BITS

Highly experienced and very skilled engineers will work closely with you to help arise solutions to your drilling issues.

PAT provides:

- Consulting to decide on the options that fit your drilling requirements.
- Training tailored to our clients drilling accessories.
- DTH-Hammer complete set, spare parts, service kits, and repair kits supplied with their respective adaptors.
- Effective matching hammer stripping and bit spanner tools developed by PAT for DTH-Hammers.



DTH-Hammers

Part no.	Reference	Description	Weight (kg)
30 6 3303	3" Hammer	3" Hammer, MACH-303	20.0
30 6 3044	4" Hammer	4" Hammer, MACH-44	36.0
30 6 3400	4" Hammer (high pressure)	4" Hammer, SD-400	38.0
30 6 3050	5" Hammer	5" Hammer, MACH-50	54.0
30 6 3500	5" Hammer (high pressure)	5" Hammer, D-500	58.0

Service Kits & Repair Kits

Part no.	Reference	Description	Weight (kg)
30 s 6303-1	MACH-303	MACH-303 Service kit	3.0
30 s 6044-1	MACH-44	MACH-44 Service kit	4.0
30 s 6400-1	SD-400	SD-400 Service kit	4.0
30 s 6050-1	MACH-50	MACH-50 Service kit	4.0
30 s 6500-1	D-500	D-500 Service kit	4.5
30 s 6303-2	MACH-303	MACH-303 Repair kit	4
30 s 6044-2	MACH-44	MACH-44 Repair kit	6
30 s 6400-2	SD-400	SD-400 Repair kit	6
30 s 6050-2	MACH-50	MACH-50 Repair kit	8.5
30 s 6500-2	D-500	D-500 Repair kit	8.5

Button Bits

Part no.	Reference	Description	Weight (kg)
30 6 3312-303	3" Hammer	3 1/2" (90 mm) Button bit	3.7
30 6 3400-303	3" Hammer	4" (100 mm) Button bit	4.5
30 6 3412-44	4" Hammer	4 1/2" (115 mm) Button bit	9.7
30 6 3500-44	4" Hammer	5" (127 mm) Button bit	11.0
30 6 3512-44	4" Hammer	5 1/2" (140 mm) Button bit	12.5
30 6 3578-44	4" Hammer	5 7/8" (150 mm) Button bit	13.5
30 6 3500-50	5" Hammer	5" (127 mm) Button bit	15.0
30 6 3512-50	5" Hammer	5 1/2" (140 mm) Button bit	17.0
30 6 3534-50	5" Hammer	5 3/4" (146 mm) Button bit	17.8
30 6 3578-50	5" Hammer	5 7/8" (150 mm) Button bit	18.0
30 6 3612-50	5" Hammer	6 1/2" (165 mm) Button bit	18.5

DTH-HAMMERS & BUTTON BITS

Hammer Tools

Part no.	Reference	Description	Weight (kg)
30 6 4003	3" Hammer	3" Hammer stripping device	15.5
30 6 4004	4" Hammer	4" Hammer stripping device	16.5
30 6 4005	5" Hammer	5" Hammer stripping device	16.6
30 6 5312-303	3" Hammer	3 1/2" Bit spanner	4.2
30 6 5400-303	3" Hammer	4" Bit spanner	4.2
30 6 5412-44	4" Hammer	4 1/2" Bit spanner	3.8
30 6 5500-44	4" Hammer	5" Bit spanner	4.2
30 6 5512-44	4" Hammer	5 1/2" Bit spanner	4.4
30 6 5578-44	4" Hammer	5 7/8" Bit spanner	4.5
30 6 5500-50	5" Hammer	5" Bit spanner	4.2
30 6 5512-50	5" Hammer	5 1/2" Bit spanner	4.2
30 6 5534-50	5" Hammer	5 3/4" Bit spanner	4.4
30 6 5578-50	5" Hammer	5 7/8" Bit spanner	4.4
30 6 5612-50	5" Hammer	6 1/2" Bit spanner	4.4